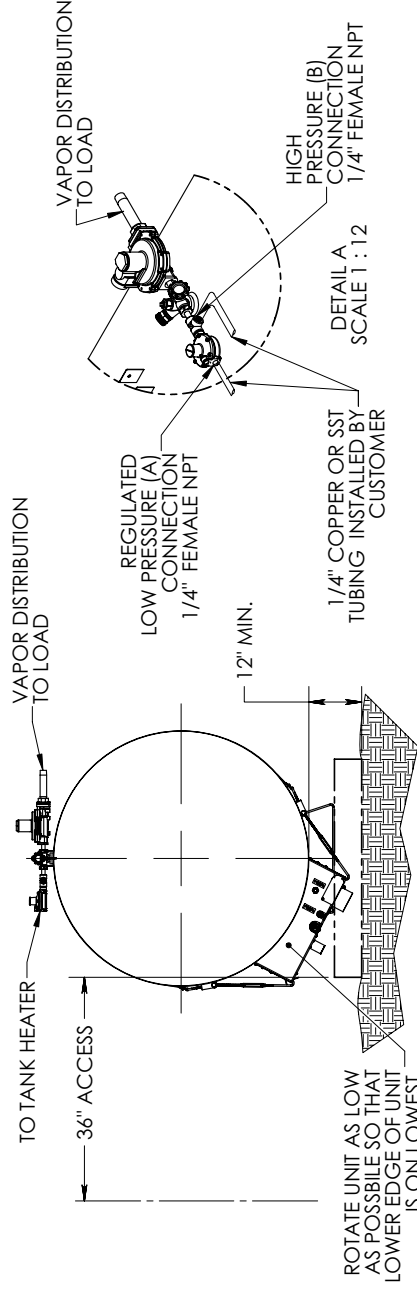


REVISIONS		REV. BY
REV.	DESCRIPTION	
A	INITIAL RELEASE	SRB 6/17/11



ROTATE UNIT AS LOW AS POSSIBLE SO THAT LOWER EDGE OF UNIT IS ON LOWEST POINT OF TANK

\* TANK LEG REMOVED FOR CLARITY\*

VAPOR DISTRIBUTION TO LOAD

REGULATED LOW PRESSURE (A) CONNECTION 1/4" FEMALE NPT

12" MIN.

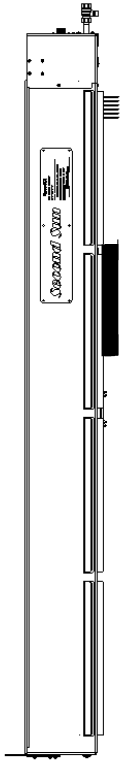
1/4" COPPER OR SST TUBING INSTALLED BY CUSTOMER

DETAIL A SCALE 1:12

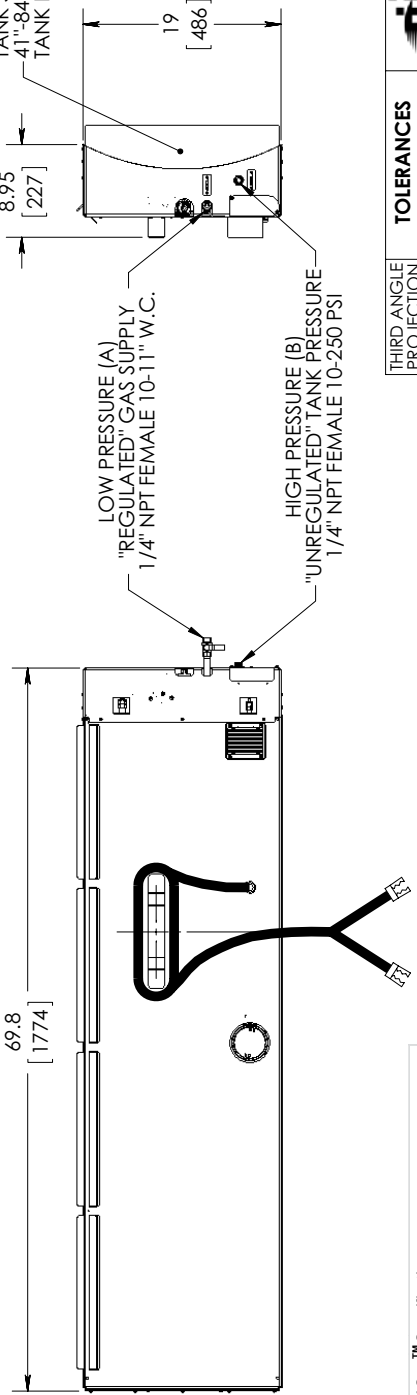
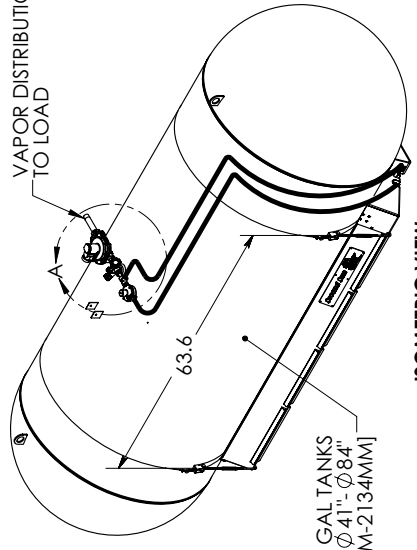
HIGH PRESSURE (B) CONNECTION 1/4" FEMALE NPT

VAPOR DISTRIBUTION TO LOAD

1000 - 12000 GAL TANKS  
Ø 41" - Ø 84"  
[1041MM-2134MM]



ISOMETRIC VIEW



Second Sun™ Specifications	
Vaporizer Type	Infrared Flameless Catalytic
Tank Size	1000 Gal to 12000 Gal (3,785 L to 45,420 L)
Tank Diameter	41 in. to 84 in. (1,04m to 2.13m)
Design Vaporization Capacity	2.2 Million Btu/hr @ -20°F at STP
Weight	125 lb (56.7 kg)
Shipping Weight est.	315 lb (142.8 kg)
Fuel Type	Propane, L.P. gas
Operating Temperature	-40°F to 120°F (-40°C to 49°C)
Pressure Set Point	55 PSI
Approvals	Class 1, Division 1, Group D, Hazardous Locations

THIRD ANGLE PROJECTION	TOLERANCES UNLESS OTHERWISE SPECIFIED X ± 0.1 XX ± 0.06 .XXX ± 0.030	Drawn By: SRB
DO NOT SCALE DRAWING	ANGLE ± 0°30' FRACTIONS ± 1/16"	Checked By: MK
INTERPRET THIS DRAWING IN ACCORDANCE WITH ANSI/ASME Y14.5-2009	THE DRAWING SHALL NOT BE REPRODUCED OR USED IN ANY MANNER WITHOUT THE WRITTEN INTERESTS. ALL RIGHTS RESERVED. © COPYRIGHT ALGAS SDI	Approved By: [Signature]
		Date: 6/17/11
		Scale: 1:10 AND NOTED
		Job #
		Part #
		AS.D.I. STD.
<b>SECOND SUN EQUIPMENT DRAWING</b>		
	Size: <b>B</b>	Sht. No.: 1 of 1
	Dwg. # 2201-6001	Rev: <b>A</b>





**Offered By:**

Power Equipment Company  
2011 Williamsburg Road  
Richmond, Virginia 23231

T: 804-236-3800

F: 804-236-3882

[www.peconet.com](http://www.peconet.com)

[sales@peconet.com](mailto:sales@peconet.com)